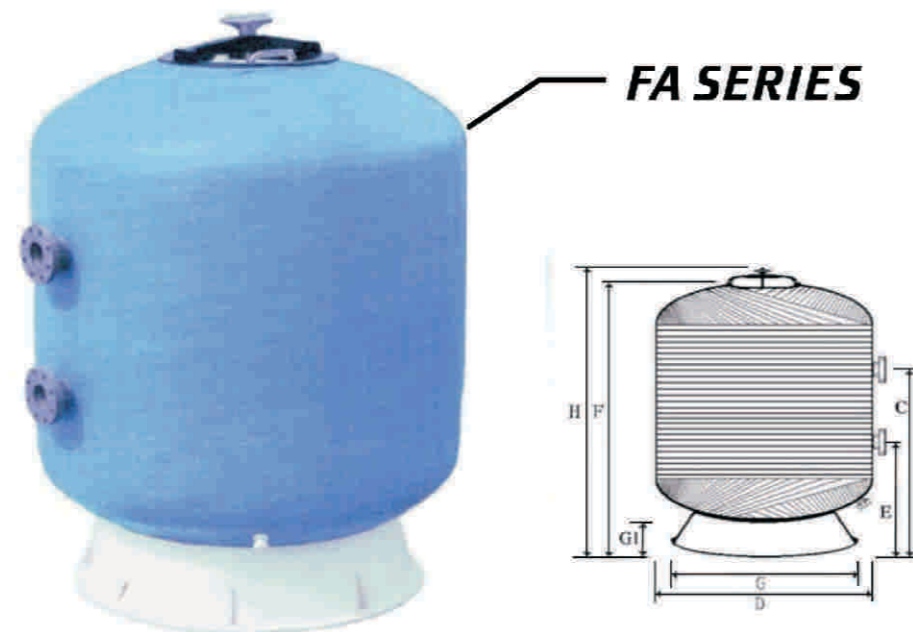


## FA Series - Deep Bed Type2



### FA series deep bed filters features including:

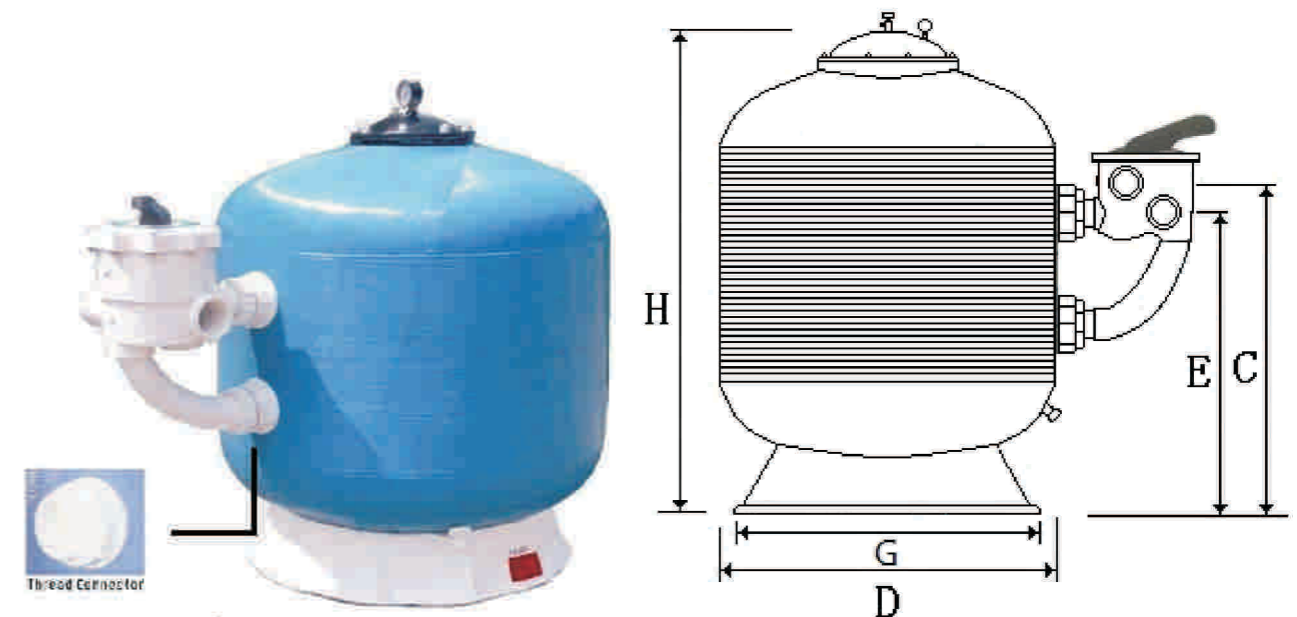
1. Manufactured with wounded fiberglass polyester
2. Having a large man hole and 1.2M depth filtration bed lateral under drains or nozzle panel
3. Complete with air bleed system, sand and water drain, plus pressure gauge panel
4. Inlet and outlet are flanged or thread connections according to filter sizes
5. Working pressure: 2.5 bar.
6. Special are made to order



TECHNICAL DATA FOR FIBERGLASS FILTER(FLANGE TYPE)

Ref Code	Diameter MM	Connetction MM	Flow M <sup>3</sup> /H	Surface Area M <sup>2</sup>	Efficiency %	Sand Weight KG	Pressure KG/CMP	H MM	C MM	E MM	F MM	G MM	G1 MM
FA-005	1050	80 / 3"	43	0.86	95	1050	2.5	2070	1390	590	1940	950	240
FA-006	1200	100 / 4"	56	1.13	95	1500	2.5	2080	1405	605	1950	1000	245
FA-025	1400	125 / 5"	77	1.54	95	2000	2.5	2175	1490	690	2045	1160	265
FA-007	1600	150 / 6"	100	2.01	95	2650	2.5	2310	1560	760	2180	1510	310
FA-026	1800	150 / 6"	125	2.54	95	2350	2.5	2320	1600	800	2190	1580	300
FA-008	2000	150 / 6"	157	3.14	95	4100	2.5	2420	1640	840	2290	1780	290
FA-009	2350	200 / 8"	217	4.34	95	5700	2.5	2520	1785	985	2390	1940	335

## FB Series - Side Mount Type



### RESIDENTIAL

We present you an extensive program of filters manufactured with polyester and glass fiber winding for high resistance and high quality of water filtration.

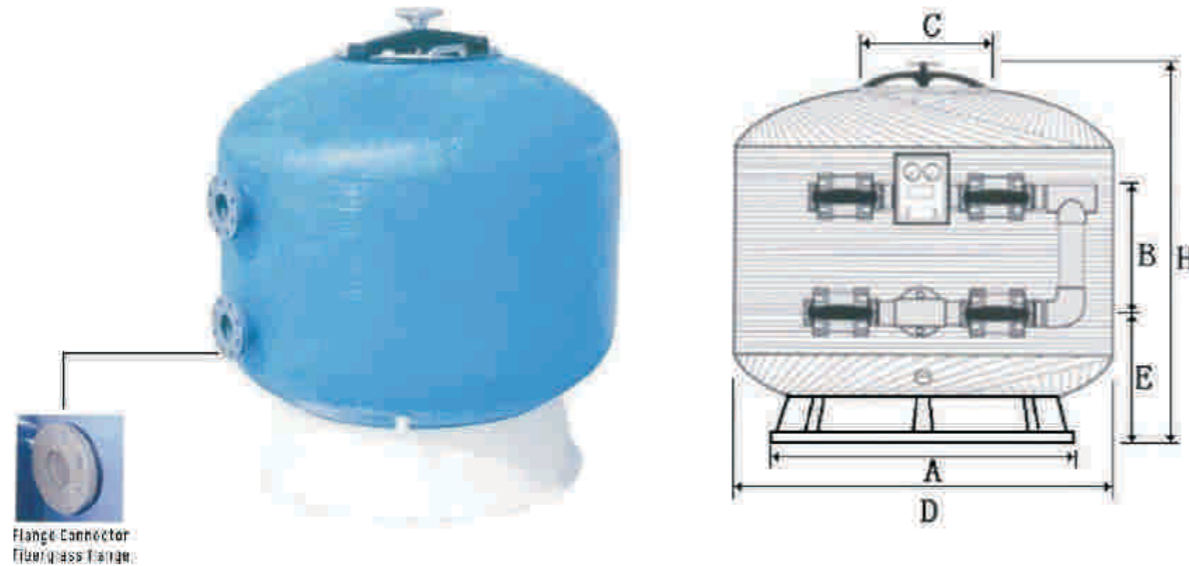
FB series filters are indicated for private, fish pool, Jacuzzi and public pools, and equipped with:

- Multi-port 6-way valve (bolts mounted) with lever-action handle
- Integral sight glass for watching backwash cycle
- Manometer, air-bleed apparatus for monitoring and varying the pressure of filtration system
- Large pressure sand/water drain for rapid
- Winterizing or servicing
- Umbrella-fold self-cleaning laterals for balanced flow, back-washing and easy maintenance
- Maximum working pressure: 2.5 bars



REF.Model	Diameter mm	Connection mm	Flow m <sup>3</sup> /H	Surface Area M <sup>2</sup>	Efficiency %	Sand Weight KG	Pressure KG/CM <sup>2</sup>	H MM	A MM	C MM	E MM
FB-001	500	48/50	6-9	0.196	95	120	2.5	811	460	551	470
FB-002	600	48/50	9-14	0.283	95	200	2.5	891	460	594	513
FB-003	750	60/63	13-21	0.442	95	300	2.5	1006	590	643	562
FB-004	900	60/63	19-30	0.636	95	400	2.5	1228	790	779	698
FB-005	1000	75/76	24-37	0.785	95	550	2.5	1233	945	787	707
FB-006	1200	75/76	33-54	1.131	95	750	2.5	1433	1010	901	820

## FB Series - Side Mount Type



### COMMERCIAL

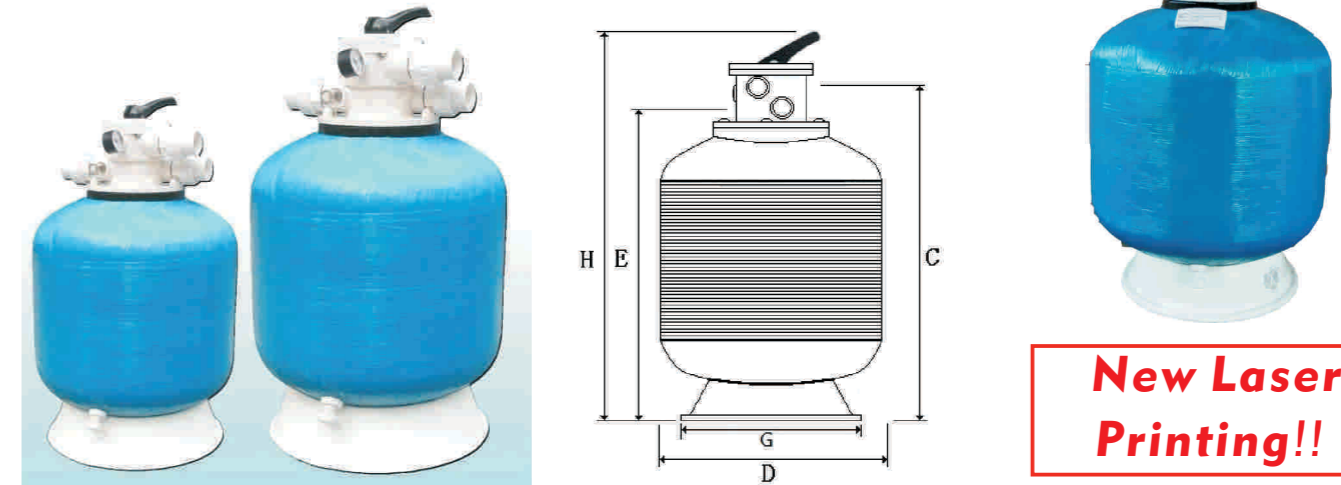
FB series filters with flange connection include with:

1. Superior manhole
2. Filtration bed with 1 meter of sand level
3. Stainless steel hubs and laterals
4. Air bleed system
5. Drain for sand and water
6. Manometer panel
7. Inlets and outlets with detachable unions or flanges
8. Working pressure: 2.5 bar or 4 bar



REF.Model	Diameter mm	Connection mm	Flow m <sup>3</sup> /H	Surface Area M <sup>2</sup>	Efficiency %	Sand Weight KG	Pressure KG/CM <sup>2</sup>	H MM	A MM	C MM	E MM	B MM
FB-064	1200	3"	33-54	1.01	95	750	2.5	1400	1010	500	550	340
FB-067	1400	3"	46-73	1.54	95	1600	2.5	1620	1150	500	665	340
FB-200	1600	4"	60-100	2.01	95	2300	2.5	1760	1440	500	685	440
FB-044	1200	3"	33-54	1.01	95	1400	2.5	1800	1020	500	725	440
FB-047	1400	4"	46-73	1.54	95	1900	2.5	1800	1230	500	735	440
FB-173	1600	4"	60-100	2.01	95	2600	2.5	1900	1440	500	780	440
FB-174	1800	6"	76-122	2.55	95	3500	2.5	1940	1570	500	810	440
FB-186	2000	6"	94-150	3.14	95	4500	2.5	2000	1780	500	825	440
FB-190	2300	8"	130-208	4.34	95	6000	2.5	2360	1760	500	1020	600
FB-199	2500	8"	150-235	4.91	95	8300	2.5	2450	1760	500	980	600

## FB Series - Top Mount Type



### TOP MOUNT (BOLTS ON)

FB series high performance sand filter (Top Mount) are manufactured with polyester and glass fiber winding for dependable, durable and all weather operation.

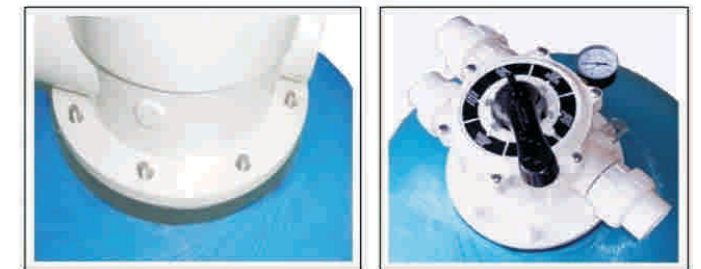
They are economic, high performance filters for private pool, fish pool, Jacuzzi and public pools.

Features of FB filters include:

1. Multi-port 6-way valve (bolts-on) with lever-action handle Integral sight glass for watching backwash cycle
2. Manometer, air-bleed apparatus for monitoring and varying the pressure of filtration system
3. Large pressure sand/water drain for rapid winterizing or servicing
4. Umbrella-fold self-cleaning laterals for balanced flow, back washing and easy maintenance
5. Maximum working pressure: 2.5 bars.

### Functions of 6-way (Multi-port) valve:

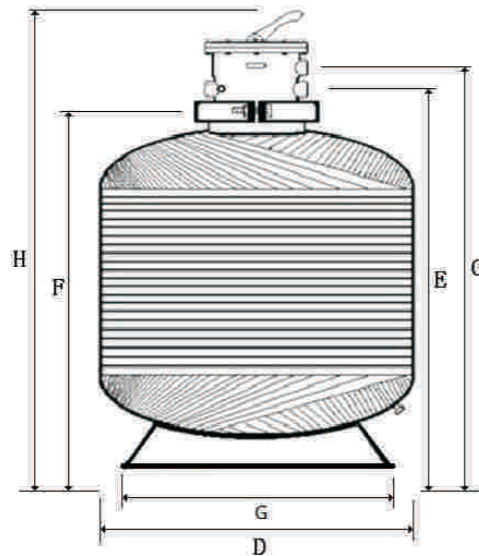
1. Filter: Filtration and vacuuming
2. Waste: By pass filter, for vacuuming or draining water
3. Close: Shut off the filter system
4. Backwash: Cleaning filter by reversing water flow
5. Re-circulate: Circulating water by passing filter
6. Rinse: After back-washing to remove dirt in nozzles



Bolts-on / Screw type

REF.Model	Diameter mm	Connection mm	Flow m <sup>3</sup> /H	Surface Area M <sup>2</sup>	Efficiency %	Sand Weight KG	Pressure KG/CM <sup>2</sup>	H MM	A MM	C MM	E MM
FB-019	450	48/50	5-7.5	0.159	75	80	2.5	815	370	640	640
FB-020	500	48/50	6-9.5	0.196	75	100	2.5	886	460	710	710
FB-021	600	48/50	9-13.5	0.283	75	180	2.5	975	460	800	800
FB-022	750	60/63	13-21	0.442	75	250	2.5	1150	590	934	934
FB-023	900	60/63	19-30	0.636	75	350	2.5	1300	790	1084	1084
FB-024	1000	75/76	24-37.5	0.785	75	450	2.5	1380	945	1164	1164
FB-025	1200	75/76	33-54.5	1.131	75	750	2.5	1580	1010	1364	1364

## FC Series -Top Mount Clamp Type



Clamp Type



Top Mount Valve Mounted by Clamp



Stainless Steel Clamp

FC series (Top mount) High Performance Fiberglass Filter are manufactured with polyester and glass fiber winding for high resistance and high quality of water filtration. It is economic, high performance filters for private, fish pool, Jacuzzi and public pools, equipped with:

1. Multi-port 6 way valve: filtration, backwash, rinse recycle, drain and close.
2. Manometer, air-bleed system
3. Stainless Steel Flange-clamp design
4. Maximum working pressure 2.5 bars



Black Valves and clamps are available.



Can use with Electrical Six-Way Multiport Valve

REF.Model	Diameter mm	Connection mm	Flow m <sup>3</sup> /H	Surface Area M <sup>2</sup>	Efficiency %	Sand Weight KG	Pressure KG/CM <sup>2</sup>	H MM	C MM	G MM	F MM	E MM
FC-018	400	48/50	4-6	0.126	75	70	2.5	723	596	350	494	560
FC-019	450	48/50	5-7.5	0.159	75	80	2.5	814	685	350	571	637
FC-020	500	48/50	6-9.5	0.196	75	100	2.5	909	780	460	645	711
FC-021	600	48/50	8.5-13.5	0.283	75	180	2.5	979	850	460	729	795
FC-022	750	60/63	13.5-21	0.442	75	250	2.5	1164	1015	580	868	939
FC-023	900	60/63	19-30	0.636	75	350	2.5	1289	1140	770	994	1065

## PF Series -Top Mount Type

High flow PF-series Fiberglass sand filters are high quality and high performance. PF series filters are aesthetically designed for bathtub and swimming pools.



OKEYH fiberglass filter is manufactured by the advanced craft-work with polyester and fiberglass of high quality. The winding of fiberglass around the filter body makes the filter more stout and durable, and result in excellent resistance to erosion. Besides, the 6-way valve has six different functions and is easy to operate.

The filter medium of OKEYH fiberglass filter can be sand, activated carbon and resin. They are suitable for the water processing in swimming pools, ocean aquarium, water amusement parks, fish pools, massage pools/ Jacuzzi, and the treatments of industrial wasted and polluted water.

### Features of PF filters include:

1. Multi-port 6-way valve (bolts-on) with lever-action handle Integral sight glass for watching backwash cycle
2. Manometer, air-bleed apparatus for monitoring and varying the pressure of filtration system
3. Large pressure sand/water drain for rapid winterizing or servicing
4. Umbrella-fold self-cleaning laterals for balanced flow, back washing and easy maintenance
5. Maximum working pressure: 2.5 bars.

Model	Filter Dia. (Inch)	Valve Size (Inch)	Max (Kpa)	Filte Area (Sq.feet)	Sand Required (Kg)	Max Flow Rate (L/Min)
型号	缸径	阀门管径	最大压力	过滤面积	砂量	最大流量
PF-400	16	1.5	250	1.4	30	100
PF-450	18	1.5	250	1.77	40	130
PF-500	20	1.5	250	2.18	80	160
PF-600	24	1.5	250	3.14	150	230
PF-625	25	1.5	250	3.41	155	250
PF-710	28	1.5	250	4.4	185	280
PF-750	30	2	250	4.91	200	350
PF-800	32	2	250	5.58	210	390
PF-900	36	2	250	7.07	300	470
PF-1000	40	2	250	8.73	410	530
PF-1200	48	2	250	12.57	560	570



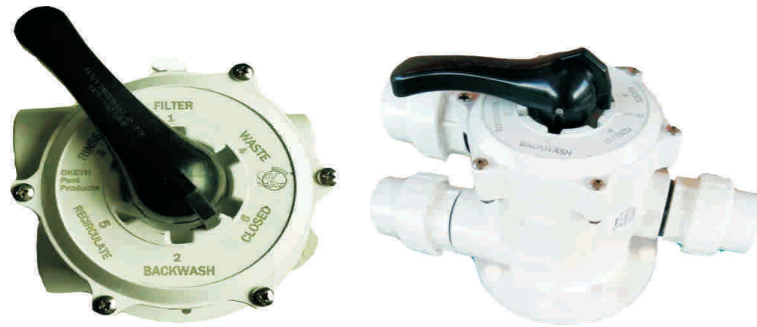
Green colour body is available.

## Six Way Multiport Valve

**New Laser Printing!!**

### Laser painting features:

1. Durable
2. Not frivolous
3. Suitable for outdoor use
4. Simple and clear
5. Easy for cleaning
6. Save money and time
7. Environmental- Instead of paper labels
8. D.I.Y own brands/logos



### Six ways Multi-ports Valves Features:

1. Easy-to-operate level-action handle
2. Heavy-duty stainless steel spring
3. High density abrasion-resistant disc key
4. Molded ABS body and Cover
5. Built-in sight glass for convenient back-washing viewing



## Six Way Multiport Valve

### Top Mount (Bolts)



**HT-715**



**HT-720**

Model	Size
HT-715	1 1/2"
HT-720	2"
HT-725	2 1/2" (3")



### Top Mount (Clamps)



**HT-820**



**HT-725**



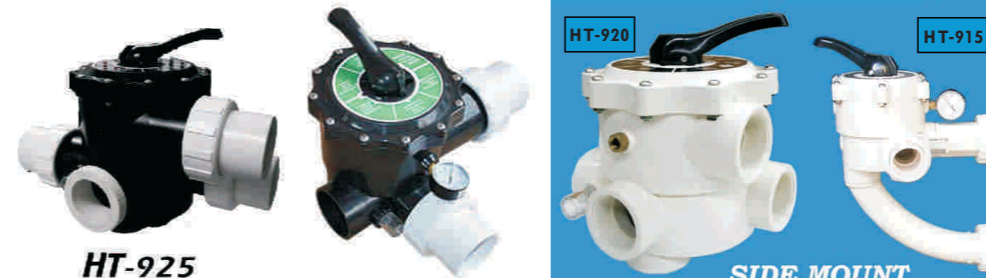
**HT-815**

Model	Size
HT-815	1 1/2"
HT-820	2"

### FUNCTION OF VALVE POSITION

1. FILTER - For normal filtration, and vacuuming pool through filter.
2. BACK-WASH- For reversing flow for cleaning filter.
3. RINSE- For initial start-up cleaning, plus re-setting filter bed after back-washing
4. WASTE- For vacuuming directly to waste, lowering pool level i draining pool.
5. CLOSE- For shutting off all flow to filter and pool
6. RE-CIRCULATE- For by-passing filter, but circulating pool water.

### Side Mount



**HT-925**

Model	Size
HT-915	1 1/2"
HT-920	2"
HT-925	2 1/2" (3")

**SIDE MOUNT**

## Six Way Multiport Valve

1.Handle for valve 1 1/2" & 2"

2.Handle pin 8\*50

3.Cocer ABS with label

4.Screw M6\*30 A2

5.Screw nut M6 A2

6.Washer d=41\*2mm

7.Plate for valve 1 1/2"

8.Star gasket for valve 1 1/2"

9.Body BSP thread

10.Washer d=51\*1.25mm

12.O-Ring 21.82\*3.53mm

13.11.O-Ring 132.95\*3.53mm

14.Air bleeder plug 1/4" Bsp

15. O-Ring 12\*2

16.Spring 1.4401

17.Sight glass for 6-way valve

18.Flatpacking 25\*16\*3

19.Valve Base

20.Base Basket

21. O-Ring for Base Basket

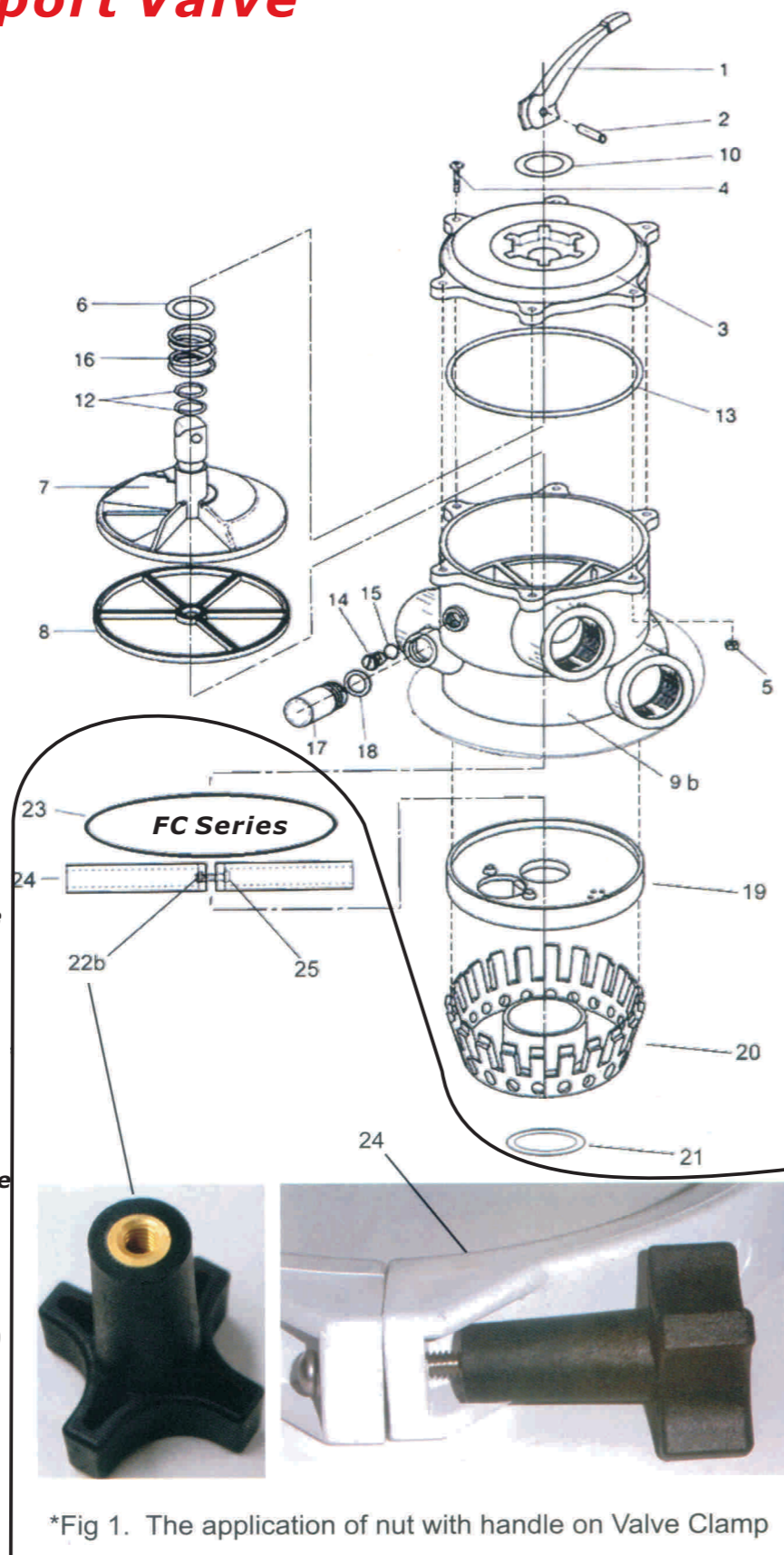
22b.Screw Nut/nut with handle

23.O-Ring for clamp

24.Valve Clamp

(PVC or Staninless steel made)

25.Screw



\*Fig 1. The application of nut with handle on Valve Clamp

## Cartridge Filter



**CF series cartridge filters offer:**

*high quality, value and convenience in cartridge filtration. With filter tanks constructed of UPVC material, they are the good choice for the most demanding applications and environmental conditions.*

*Plus, with a larger filtration element, these filters have greater effective filtration area than similar sized and priced cartridge filters.*

### Applications:

1. In-ground pools or pool / spa combinations
2. In-ground, In-deck or movable spa
3. Above-ground pools/hot tubs
4. Small or indoor fountains

### Features:

1. Filter tanks made of UPVC material to meet the demands of the toughest applications and environmental conditions.
2. Single piece injection-molded base provides added strength for reliable, corrosion-free performance.
3. Stainless steel clamp securely fastens head to filter tank
4. Durable filter head may be rotated to conveniently position pressure gauge and manual air relief
5. Extra-large cartridge element provides extra-strength and maximum flow
6. 2" FIP, 2" SKR connections for plumbing versatility

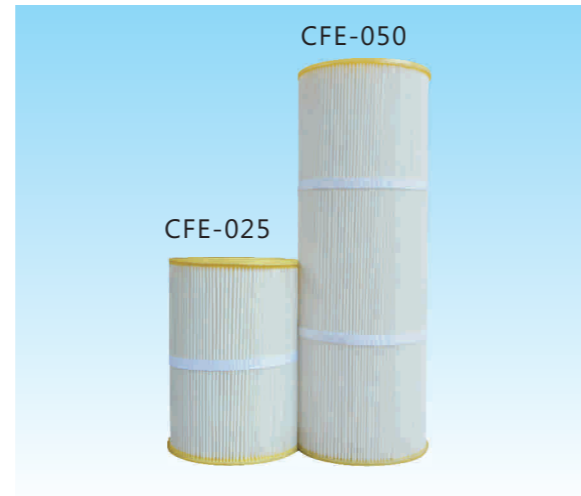


## Cartridge Filter

### Cartridge Elements



CFE-050 CFE-025



CFE-050 CFE-025

### Performance of Cartridge Filters

MODEL NUMBER	FILTRATION AREA ft <sup>2</sup>	DESIGN FLOW RATE L/MIN	TURNOVER (LITERS)		DIMENSIONS mm		Element Model
			8 HR.	10 HR.	Width	Height	
CF-25	25	95	45,420	56,775	230	500	CFE-025
CF-50	50	189	90,840	113,550	230	750	CFE-050
CF-75	75	284	136,260	170,325	230	750	CFE-075
CF-100	100	341	163,512	204,390	230	1280	CFE-100
CF-125	125	454	218,016	272,520	230	1280	CFE-125

## CARTRIDGE FILTER SYSTEM

The combination of KLP pumps with cartridge filters are available:

1. SCF25P37 - CF25 c/w KLP-37
2. SCF50P55 - CF50 c/w KLP-55
3. SCF75P75 - CF75 c/w KLP-75
4. SCF100P110 - CF 100 c/w KLP-110
5. SCF125P110 - CF 125 c/w KLP-110

\*\*S/S trolley are optional.\*\*



## All-in-one Filter System



SFB350P33 System



SFC018P55 System

Top-mount sand filter system are equipped to offer the ideal combination of high water clarity and energy efficiency. A broad selection of filter sizes, pumps and accessories allows you to choose the filter systems that best suit your above-ground pools.

### System Features

1. Systems are designed for quick assembly and precise alignment of components
2. Pumps and filters are performance-matched to provide maximum flow and energy efficiency
3. Filter bases interconnect with fiberglass stand for long-lasting, all-weather performance
4. 6-position 1.5" multiport valve
5. Combination water and sand drain makes servicing and winterizing fast and easy
6. All models are one carton systems

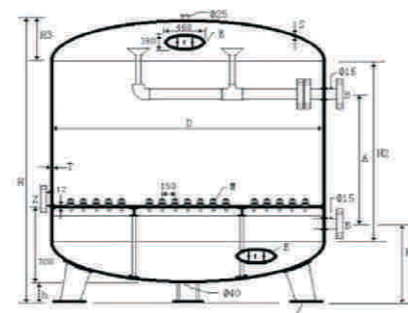
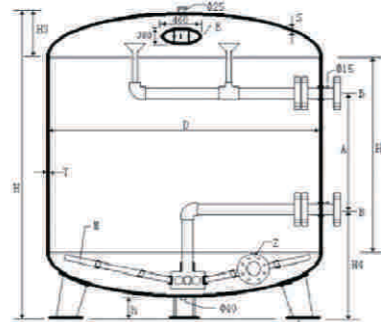
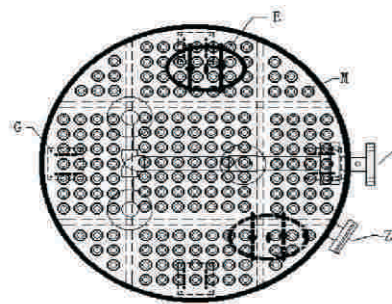
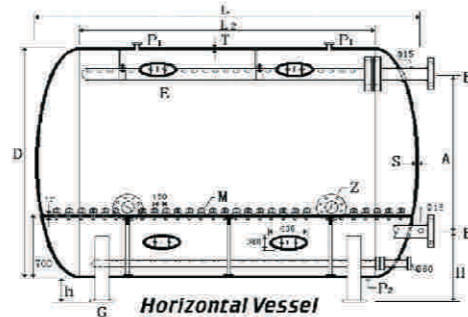


Model Number	Filter Dia. mm	Filter Control Valve	Pump	H.P.	Flow Rate m <sup>3</sup> /hr	Head m	Ctn. Qty.	Volume m <sup>3</sup>
SFB350P25	350	1.5" MPV (HT715)	KLP25	1/3	4.5	3.0	1	0.24
SFC018P33	400	1.5" MPV (HT815)	KLP33	1/2	6.0	5.0	1	0.24
SFC018P55	400	1.5" MPV (HT815)	KLP55	3/4	6.0	8.0	1	0.24
SFC019P55	450	1.5" MPV (HT815)	KLP55	3/4	7.6	5.0	1	0.34
SFC019P75	450	1.5" MPV (HT815)	KLP75	1	7.6	10.0	1	0.34
SFC020P75	500	1.5" MPV (HT815)	KLP75	1	9.5	8.0	1	0.34
SFC020P110	500	1.5" MPV (HT815)	KLP110	1 1/2	9.5	13.0	1	0.34
SFC021P75	600	1.5" MPV (HT815)	KLP75	1	13.5	5.0	1	0.49
SFC021P110	600	1.5" MPV (HT815)	KLP110	1 1/2	13.5	8.0	1	0.49

## FI Series - Mild Steel Vessel Type



Vertical vessels



Mild steel vessels are classified into two different types of filter. One is Vertical, and the other is Horizontal. The factory, which is located in mainland China, offers a comprehensive range of pressurized vessel. We supply products with the highest quality to the demanding requirement

All our products are designed and manufactured to the B.S. standard, RS standard, ASME standard or specified requirement. The inside wall of tank are coated by RUST-OLEUM brand in US They are suitable for commercial & Residential uses.

Tank assemblies are completed with manholes, relief valves, flange connections, under-drains and strap legs.

### Advantages of Steel Vessel

- For high pressure filtration
- Long life-span (about 20 years)

Stainless Steel 304 or 316 vessels are also available.



Tank Body Height (mm)-A	Nominal Pipe Bore - B	Tank Diameter (mm) - D	Overall Height (mm)	Filter Area (m <sup>2</sup> )	Filtration Rate (m <sup>3</sup> /m <sup>2</sup> /hr)	Design Flow Rate(m <sup>3</sup> /hr)
800	80	1000	1650	0.79	38 / 48	30.02 / 37.92
800	80 / 100	1200	1650	1.13	38 / 48	42.94 / 54.24
800	100	1400	1650	1.54	38 / 48	58.52 / 73.92
800	100 / 150	1500	1650	1.77	38 / 48	67.26 / 84.96
1000	100 / 150	1600	1850	2.01	38 / 48	76.38 / 96.48
1000	150	1800	1850	2.54	38 / 48	96.52 / 121.92
1000	150 / 200	2000	1900	3.14	38 / 48	119.32 / 150.72
1000	200	2200	1900	3.8	38 / 48	144.4 / 182.4
1000	200 / 250	2400	1900	4.52	38 / 48	171.76 / 216.96

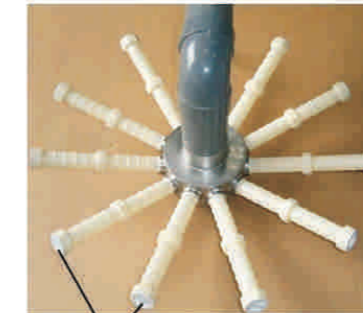
## Hub and Nozzle



Hubs



## Stainless Steel Type

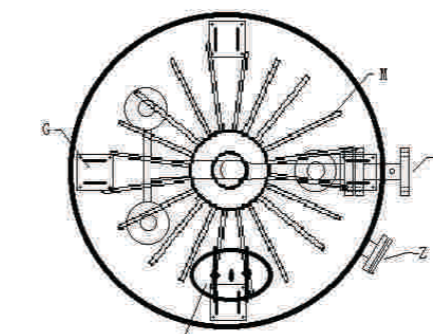
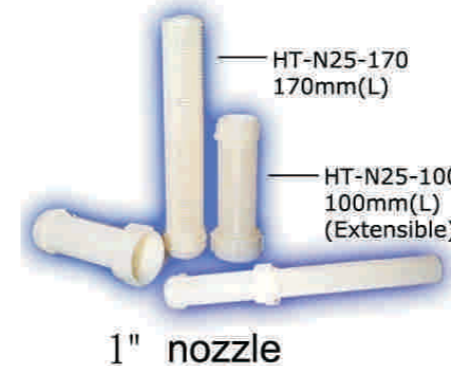


HT-N25-L (1" Nozzle Lid) or HT-N40-L (1 1/2" Nozzle Lid)

## HUBS AND NOZZLES



Easy For Installation



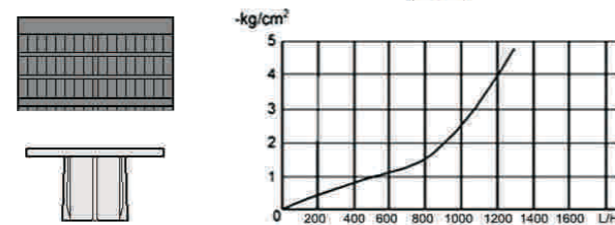
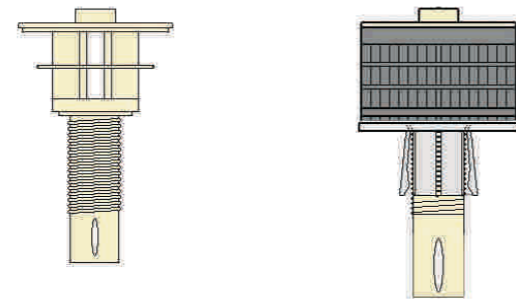
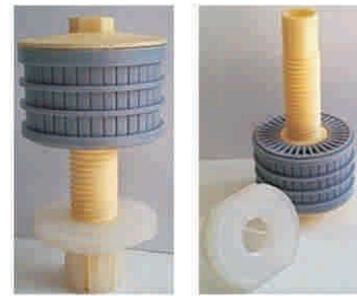
Vertical Vessel - Lateral Hubs Type



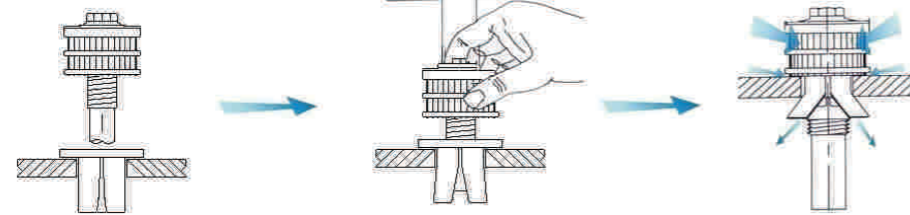
- R10001-H15-Plastic Hub 1.5"
- R10001-H20-Plastic Hub 2"
- R10002-H30-Srainless Steel Hub 3"
- R10002-H40-Srainless Steel Hub 4"
- R10002-H60-Srainless Steel Hub 6"
- R10002-H80-Srainless Steel Hub 8"

# OKEYH POOL Products

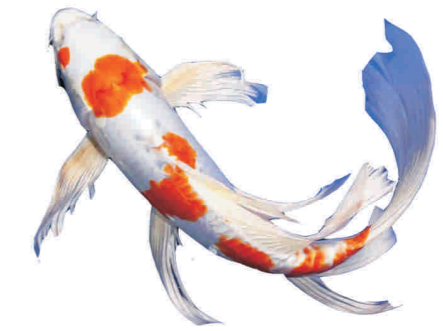
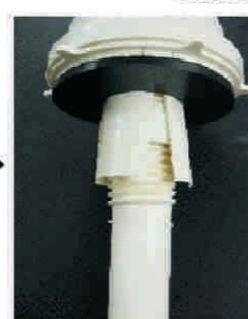
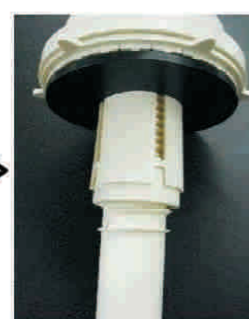
## Hub and Nozzle



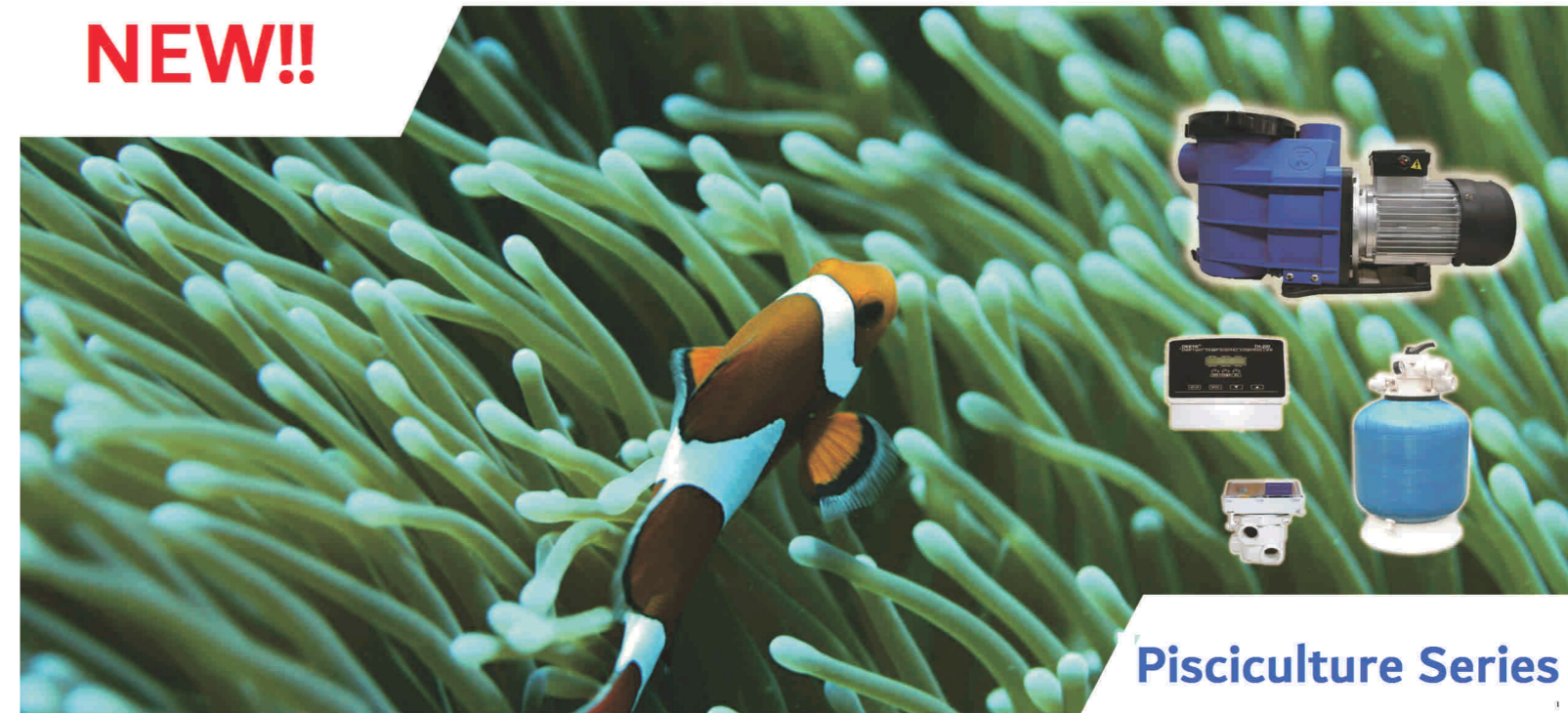
Model: HT-N65-50



Model: HT-N65-40



**NEW!!**



Pisciculture Series



HT-1020

Six ways multiports valve



FX Series Sand Filters





## Pisciculture series Six Way Multiport Valve

### Six ways Multi-ports Valves Features:

1. Easy-to-operate level-action handle
2. Heavy-duty stainless steel spring
3. High density abrasion-resistant disc key
4. Molded ABS body and Cover
5. Built-in sight glass for convenient back- washing viewing

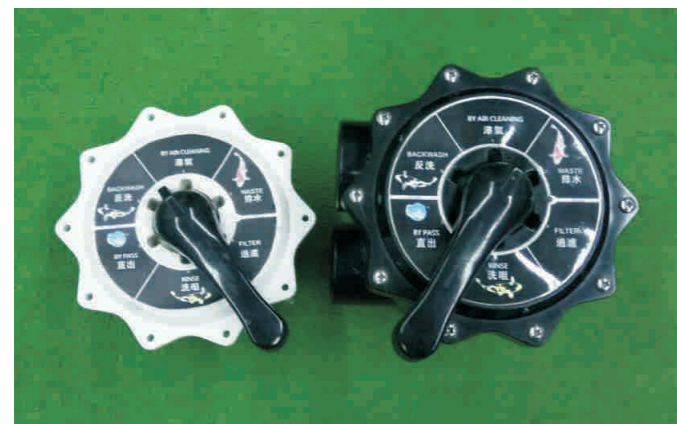
- Suitable for fish farming.



HT-1020

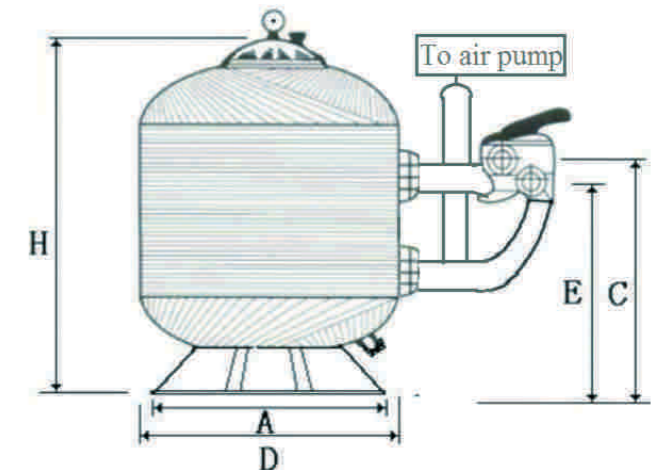
### FUNCTION OF VALVE POSITION

1. FILTER - For normal filtration, and vacuuming pool through filter.
2. BACK-WASH- For reversing flow for cleaning filter.
3. RINSE- For initial start-up cleaning, plus re-setting filter bed after back-washing
4. WASTE- For vacuuming directly to waste, lowering pool level I draining pool.
5. BY AIR CLEANING- For air cleaning from the air pump.
6. BY PASS- For by-passing filter, but circulating pool water.



Model	Size
HT-1020	2"
HT-1025	2.5" (3")

## Pisciculture Series FX Series Filter



We present you an extensive program of filters manufactured with polyester and glass fiber winding for high resistance and high quality of water filtration.

FX series filters are indicated for private, fish pool, Jacuzzi and public pools, and equipped with:

- Multi-port 6-way valve (bolts mounted) with lever-action handle
- Integral sight glass for watching backwash cycle
- Manometer, air-bleed apparatus for monitoring and varying the pressure of filtration system
- Large pressure sand/water drain for rapid
- Winterizing or servicing
- Umbrella-fold self-cleaning laterals for balanced flow, back-washing and easy maintenance
- Maximum working pressure: 2.5 bars

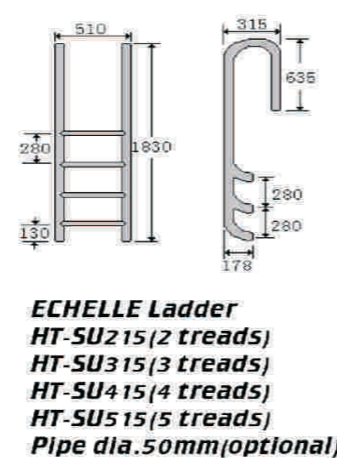
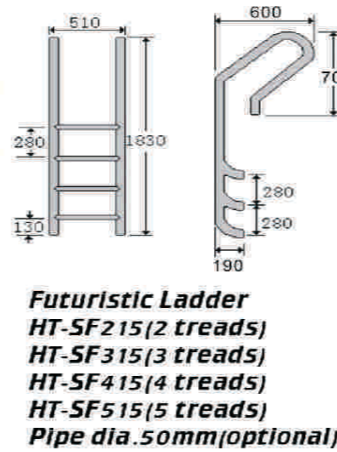
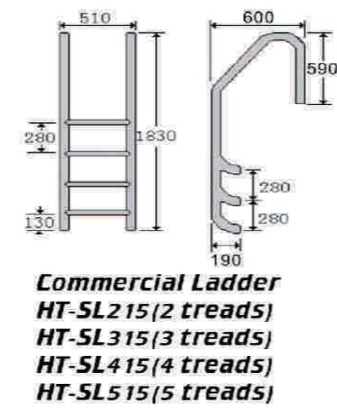
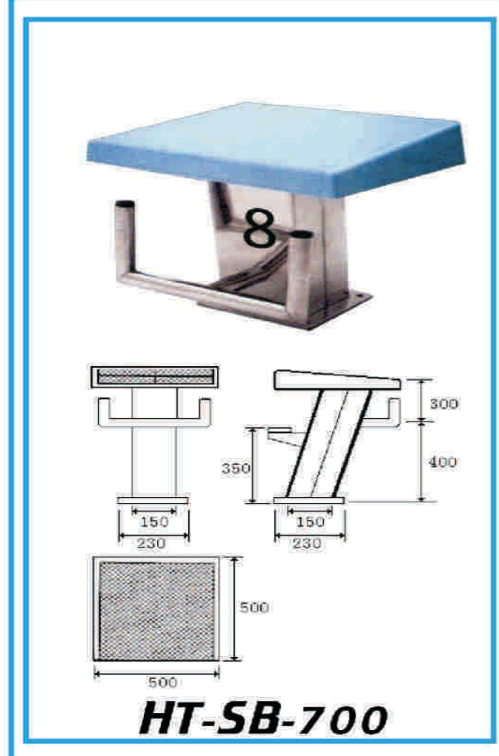
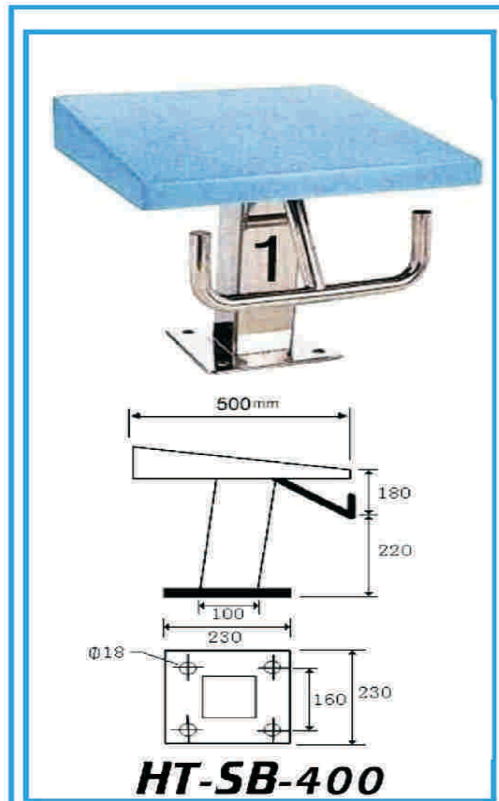
- Polypropylene (PP) Plastic balls instead sands.
- Suitable for fish farming.



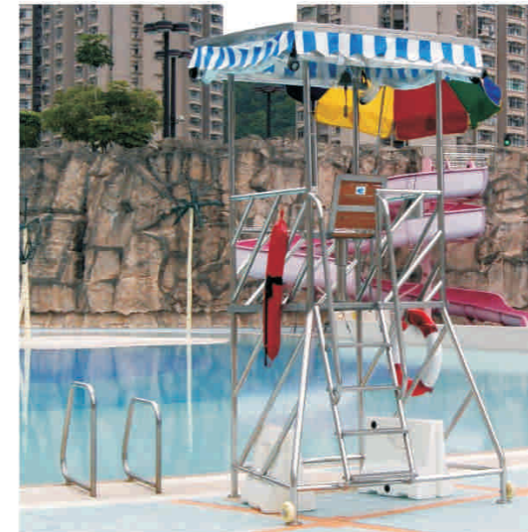
REF.Model	Diameter mm	Connection mm	Flow m <sup>3</sup> /H	Surface Area M <sup>2</sup>	Efficiency %	PP Balls KG	Pressure KG/CM <sup>2</sup>	H MM	A MM	C MM	E MM
FX-001	500	48/50	6-9	0.196	95	20	2	911	460	631	540
FX-002	600	48/50	9-14	0.283	95	30	2	991	460	674	583
FX-003	750	60/63	13-21	0.442	* 95	50	2	1106	590	723	632
FX-004	900	60/63	19-30	0.636	95	100	2	1328	790	859	768
FX-005	1000	75/76	24-37	0.785	95	150	2	1333	945	867	777
FX-006	1200	75/76	33-54	1.131	95	200	2	1533	1010	981	890

# Pool essential furniture

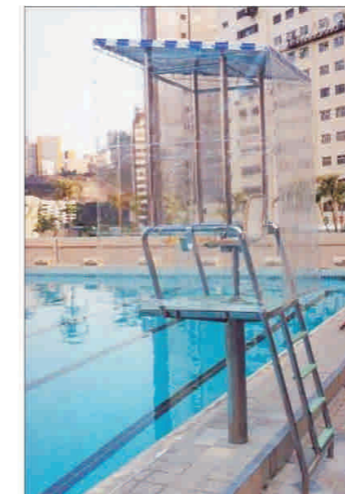
## Starting Block and Pool Ladder



## Stainless Steel Life Guard Chair and Take Up Reel



**Removable Life Guard Chair for Standard Pool**  
 Model no: HT-LGC-200R



**Type C Flexible Life Guard Chair**  
 Model: HT-LGC-50R



**Removable Life Guard Chair**  
 Model no: HT-LGC-150R



**Anti-wave Racing & Floating Ball Lane**  
**Stainless Steel Take Up Reel**  
 Model: HT-1000 & HT-1300

**SCAB DESIGN**  
since 1957

**60 YEARS**  
SCAB  
DESIGN  
MADE IN ITALY

**O**utdoor furniture  
collection

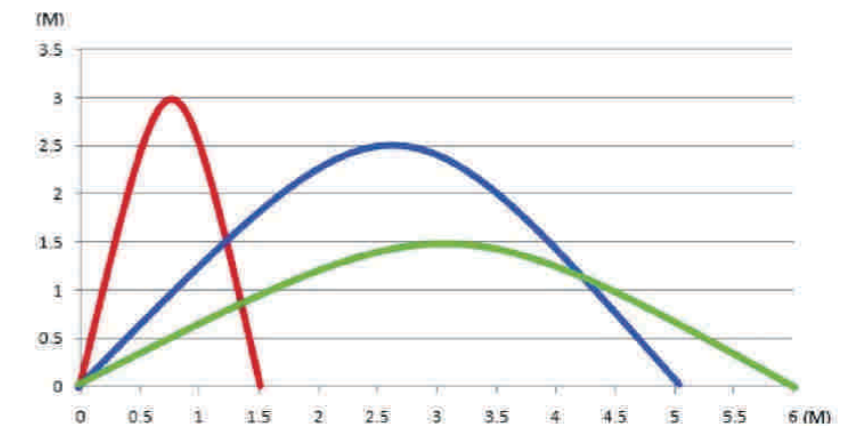
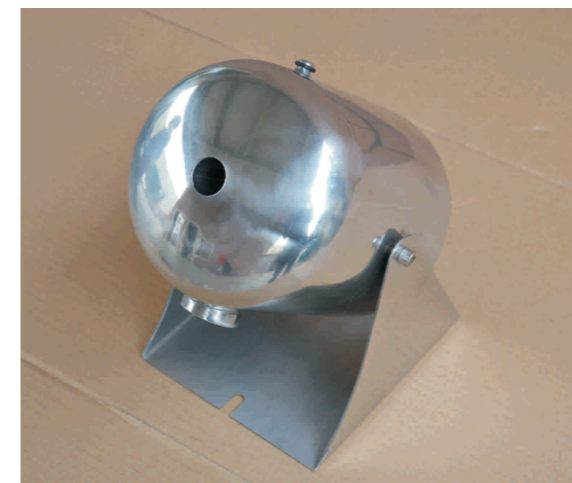


## Fountain Series

### Jumping Jet Fountain HT-950

#### Features:

1. Unusual water effects
2. Precise and glass-clear water jets
3. Spectacular integrated light-effects
4. Silent and vibration free
5. Virtually maintenance free, easy to clean
6. High safety standard, even without anchorage
7. High-grade stainless steel, unique and compact construction
8. Fast and easy to mount
9. Stainless steel case with chemical treated surface, better resistance to erosion
10. Low voltage high luminous light source
11. Light colours including red, yellow, blue, purple and compound colours
12. Stable shape of water jet, clear and limpidity.



A rod of water jets in parabolic form, precisely aimed to disappear into a small catch hole in the ground. In the next moment it shoots up again but with a totally different jet configuration.

The Transparent parabolic jet is either continuous, or precisely cut into sections of various lengths.

Light beam in as pout of water, like an optical fiber



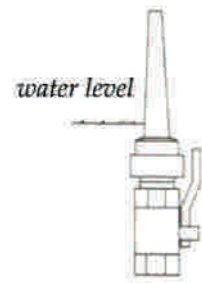
Hong Kong, Macau & China Special Distributor:

**OKEYH**  
**達興泳池有限公司**  
TAT HING POOL LIMITED

TAT HING POOL LIMITED  
TEL: (852) 2606 5467  
Website: <http://tathingpool.com.hk>  
Email: [tathing@tathingpool.com.hk](mailto:tathing@tathingpool.com.hk)  
Address: Workshop F, G/F, Universal Industrial Centre, 19-25 Shan Mei Street, Fotan, Shatin, New Territories

Pump rated voltage: 220volt/50Hz  
Lighting rated voltage: 12volt AC  
Lighting power consumption: 75watt  
Jet diameter: 18MM  
Vertical swivel range: 45-90°  
Material: Stainless steel  
Model No: HT-950

## Fountain Nozzle



### Single Jet Nozzles

- Independent from water level
- Clear, wind stable and full stream jet
- With ball and socket joint
- With flow regulator



Code	Model	Connect.	Pressure (kpa)	Flowrate M3/h	Height (m)
8110	ZWB 50	2"	50-200	5.0-8.0	3-8
8111	ZWB 40	1.5"	50-150	3.0-6.0	3-7
8112	ZWB 25	1"	50-151	2.0-4.0	3-6
8113	ZWB 20	3/4"	50-152	1.0-3.0	1-5
8114	ZWB 15	1/2"	50-153	0.3-1.5	1-4
8115	ZWB 10	10mm	50-154	0.1-1.0	1-3
8116	ZWB 8	8mm	50-155	0.1-0.5	1-2

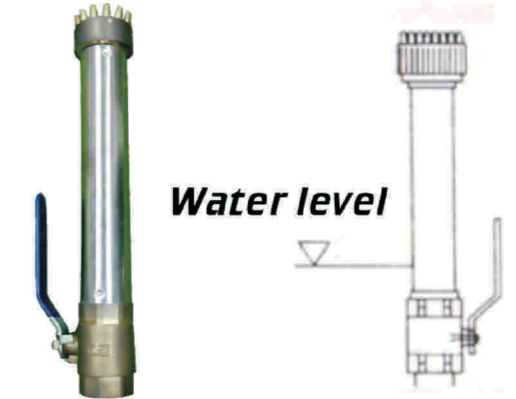
## Fountain Nozzle

### One-Layer Mushroom Jets

Code	Model	Connect.	Pressure (kpa)	Flowrate M3/h	Height (m)	Dia. (m)
8170	SYYB 40	1.5"	50-100	3.8-6.8	0.5-1.5	1-3
8171	SYYB 25	1"	50-100	2.2-3.8	0.4-1.2	1-2



### 1-Layer Mushroom jets

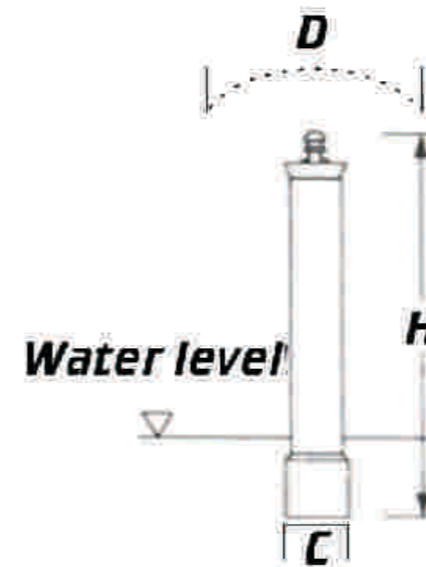
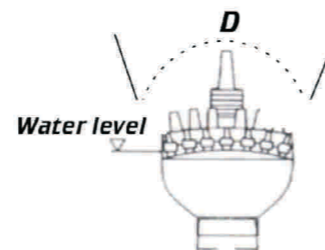


### Multi-jet Nozzle

- Multi-stepped water pattern
- Independent from water level
- With flow regulator



Code	Model	Connect.	Pressure (kpa)	Flowrate M3/h	Height (m)	Dia. (m)
8140	SKST 50	2"	50	22.0	2.8	2.8
8141	SKST 40	1.5"	50	18.0	2.5	2.5
8142	SKST 25	1"	50	2.0	2.3	2.3



### Tulip Nozzles

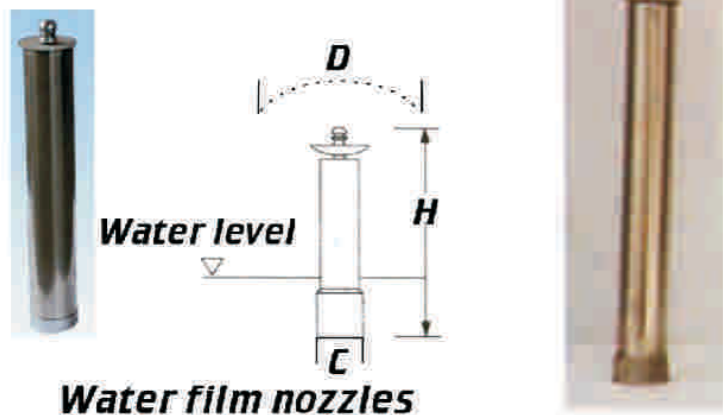
- Produce a clear, TULIP pattern
- Little Sound or splash
- Ideal for indoor or wind-free display
- Independent from the water level



Code	Model	Connect.	Pressure (kpa)	Flowrate M3/h	Height (m)	Dia. (m)
8190	MLBB 100	4"	10-20	28.0	0.55	2.2
8191	MLBB 80	3"	10-20	18.0	0.50	1.6
8192	MLBB 50	2"	6-10	7.0	0.50	1.5
8193	MLBB 40	1.5"	6-10	4.0	0.40	1.0
8194	MLBB 25	1"	5-8	3.0	0.25	0.6
8195	MLBB 20	3/4"	5-8	2.0	0.25	0.5
8196	MLBB 15	1/2"	5-8	1.0	0.20	0.3

## Fountain Nozzle

### Water film nozzles



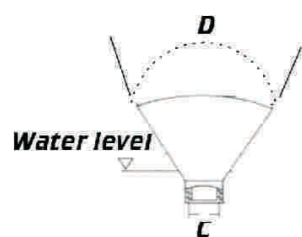
Code	Model	Connect.	Pressure (kpa)	Flowrate M3/h	Height (m)	Dia. (m)
8200	MMGB 100	4"	50-100	23.0	0.50	2.2
8201	MMGB 80	3"	50-100	18.0	0.50	1.5
8202	MMGB 50	2"	40-70	5.0	0.50	1.2
8203	MMGB 40	1.5"	40-50	3.0	0.40	1.0
8204	MMGB 25	1"	30-50	2.0	0.25	0.6
8205	MMGB 20	3/4"	30-40	1.5	0.25	0.5
8206	MMGB 15	1/2"	20-40	1.0	0.20	0.3

### Water film nozzles

- Rustic water pattern
- Compact water stream
- Wind stable
- Independent from the water level



Code	Model	Connect.	Pressure (kpa)	Flowrate M3/h	Height (m)	Dia. (m)
8210	MSGB 50	2"	30-80	15-25	0.6-1.3	1.0-2.2
8211	MSGB 40	1.5"	30-80	10-18	0.5-1.0	0.8-1.5
8212	MSGB 25	1"	30-80	4-8	0.3-0.8	0.6-1.2
8213	MSGB 20	3/4"	50	2.5	0.2-0.6	0.1-0.8



## Fountain Nozzle

### Foam effect nozzles



- Water level dependent
- Slender, and white foaming water pattern
- Mostly cylindrical form
- Rich air mixture



Code	Model	Connect.	Pressure (kpa)	Flowrate M3/h	Height (m)
8220	CYZB 40	1.5"	250-290	15.0-20.0	2.0-5.0
8221	CYZB 25	1"	180-250	8.0-15.0	1.5-4.0
8222	CYZB 20	3/4"	80-100	4.0-9.0	1.0-3.0
8223	CYZB 15	1/2"	60-100	2.0-4.0	0.5-2.0

### Foam effect nozzles



Code	Model	Connect.	Pressure (kpa)	Flowrate M3/h	Height (m)	Dia. (m)
8230	CCQB 50	2"	50-250	15-20	2.0-12.0	0.8-1.2
8231	CCQB 40	1.5"	50-200	10-15	2.0-7.0	0.6-1.0
8232	CCQB 25	1"	50-200	6-12	1.5-5.5	0.5-0.8
8233	CCQB 20	3/4"	50-150	3-5	0.5-4.0	0.3-0.5



## Fountain Nozzle

### Foam effect nozzles

- Water level dependent
- Rich air mixture
- Effective water saving

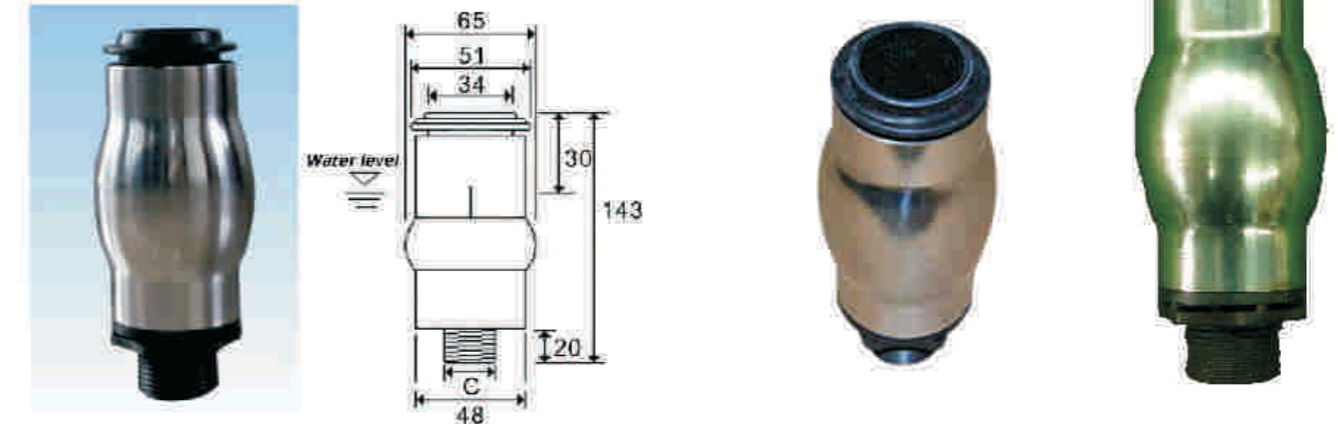


water level

Code	Model	Connect.	Pressure (kpa)	Flowrate M3/h	Height (m)	Dia. (m)
8240	CBTB 80	3"	50-450	21.0-50.0	1.0-12.0	1.5
8241	CBTB 50	2"	50-400	12.0-25.0	1.0-10.0	1.0
8242	CBTB 40	1.5"	20-330	8.0-20.0	1.0-8.0	0.6
8243	CBTB 25	1"	40-200	6.0-10.0	1.0-6.0	0.3
8244	CBTB 20	3/4"	40-200	2.0-4.0	1.0-4.0	0.2
8245	CBTB 15	1/2"	30-150	1.0-2.5	1.0-2.5	0.2

## Fountain Nozzle

Foam effect nozzles, water level dependent



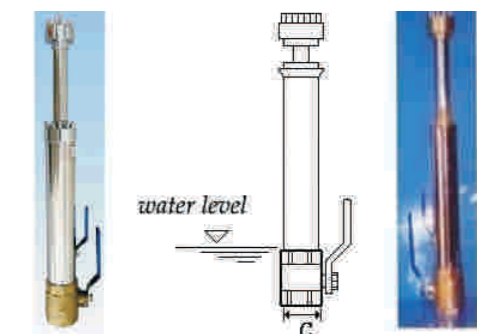
Model	Connect. (C)	Pressure (kpa)	Flowrate M3/h	Height (m)	Dia. (m)
HT-35-10E	1"	50-150	3.0-8.0	0.25-2.5	1.0-2.5



## Two-Layers Mushroom Nozzles



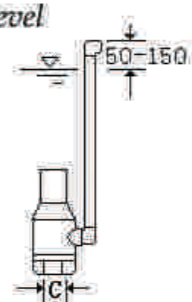
Code	Model	Connect. (C)	Pressure (kpa)	Flowrate M3/h	Height (m)	Dia. (m)
8300	FYGB 40	1.5"	50-150	3.0-8.0	0.5-1.5	1.0-2.5
8301	FYGB 25	1"	50-150	2.0-6.0	0.4-1.2	1.0-2.0
8302	FYGB 20	3/4"	50-100	2.0-4.0	0.4-0.8	1.0-1.5
8303	FYGB 15	1/2"	50-80	1.5-2.5	0.3-0.6	0.8-1.0



2 layer mushroom nozzles



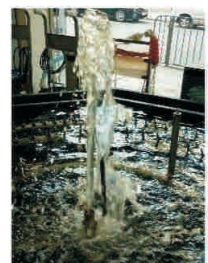
water level



### Foam effect nozzles

- Water level dependent
- White spring water pattern
- Luminizing with underwater light

Code	Model	Connect. (C)	Pressure (kpa)	Flowrate M3/h	Height (m)	Dia. (m)
8250	CGPB 80	3"	100-200	25.0-40.0	0.5-1.0	0.5-0.7
8251	CGPB 50	2"	60-150	17.0-25.0	0.4-0.8	0.3-0.6
8252	CGPB 40	1.5"	50-100	10.0-18.0	0.4-0.8	0.3-0.5
8253	CGPB 25	1"	50-100	3.5-8.0	0.3-0.5	0.2-0.4
8254	CGPB 20	3/4"	50-100	2.0-5.0	0.2-0.4	0.2-0.3
8255	CGPB 15	1/2"	50-100	1.5-3.0	0.2-0.3	0.1-0.2



## Brass Curtain Fountain Nozzle



Curtain nozzle and lace holder, consisting of nozzle body, lower body washer & upper slip on lock ring, all made of brass.

The nozzle body has a UNF 0.375" X 24 TPI thread.

The nozzle body is normally threaded from the top into a stainless steel nozzle trough.



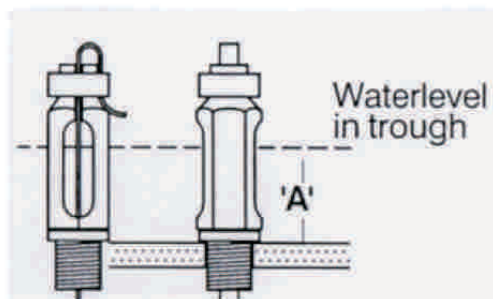
The curtain lace is fed through the nozzle from the bottom up into and through the slot in the top of the nozzle and looped over to one side, then the lock ring is slipped over the lace and top of the nozzle, locking the lace.



The slot in the top of the nozzle to align with the row of nozzles.

The bottom of the nozzle must protrude beneath the pan by a minimum of 3mm / 0.125" to prevent the water from spreading out horizontally causing overspray and splash.

Normal spacing between nozzles is appr. 38mm / 1.5" between centers



Nozzle Flows:  
Model: HT-CF40  
'A' :13mm/0.5" = 0.25L/min (4GPH)

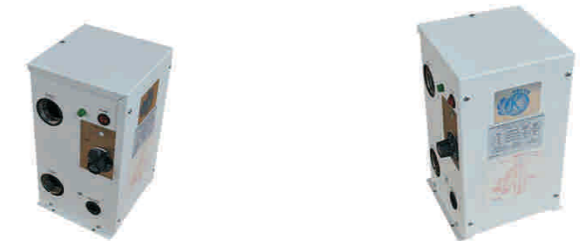
## Spa and Sauna Series

### Electric Heater for Spa

Heaters contain all of the sophisticated features and capabilities of heaters twice their size.

The electric heaters fit into compact spaces- even under spa skirts or steps. They are easy to install and service.

Applications:  
Spas/ hot tubs/ pools



HTH Series



HTR Series



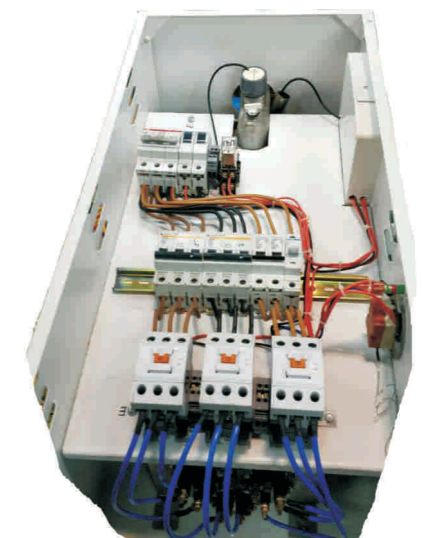
HTL Series



Vertical Pipe connection



Horizotnal Pipe connection



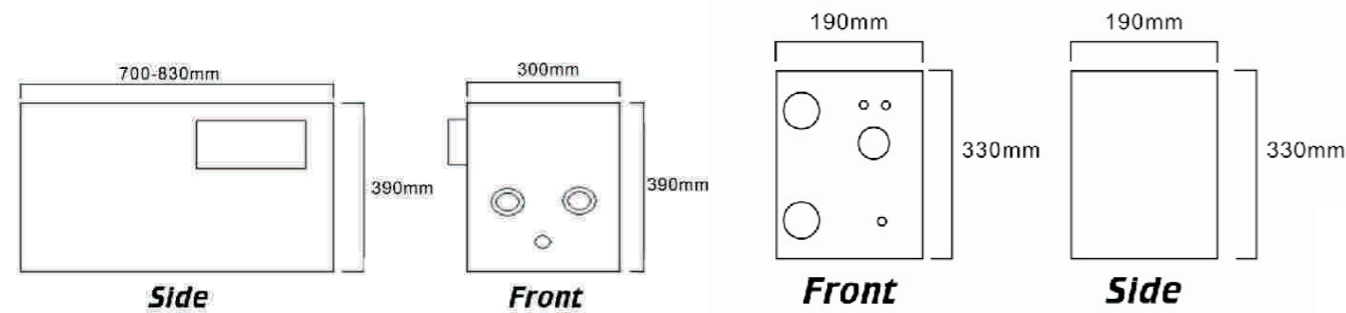
## Electric Heater for Spa

### Features:

- Standardization 304 stainless steel tank
- 304 stainless steel threaded head, safety sensor electric heating element
- Electric overload protection
- Indicator light
- Alternative direction connections
- Operation (on/ off) by pressure function
- Easy for transportation



### overall size



Code Model	Power (KW)	Voltage	Connect size
HTH-5	5.5	220/380	1.5"
HTH-7	7.5	220/380	1.5"
HTH-10	10	220/380	1.5"
HTL/R-18	18	380	2"
HTL/R-24	24	380	2"
HTL/R-30	30	380	2"
HTL/R-36	36	380	2"
HTL/R-54	54	380	2"
HTL/R-60	60	380	2"

## Steam Generator

A steam bath can moisturize and deeply clean the skin.

It relax overworked, tight muscles and reduces aches and pains in joints.

A personal steam bath will improve the quality of your life.

### Features:

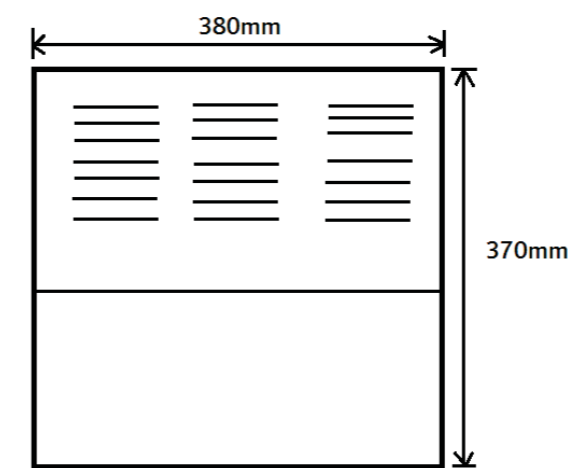
- Quiet operation
- Efficient installation
- Stainless steel tank construction
- Easily removable heating elements for easy and economical services
- Control box with PCB and wireless (IFR ray) remote controller
- Sensitive temperature sensor and polished chrome steam head
- Standard manual drain or optional automatic drain



2nd Generation



3rd Generation



Front



Side



## Steam Generator



Dry Steam



Wet Steam



Remote Controller



**Steam Control Panel & Remote Control**



**Sauna Control Panel & Remote Control**



Sensor



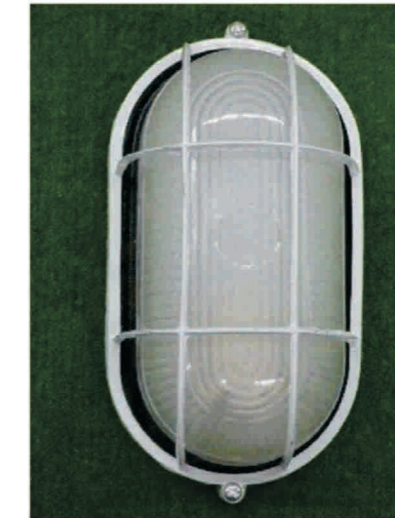
Steam Generator Label

kw	LxHxW	220V AMP	380V AMP
6	380x370x180	28	9x3
7.5	380x370x180	34	11x3
9	380x370x180	41	13.5x3
10.5	380x370x180	-	16x3
12	380x370x180	-	18x3

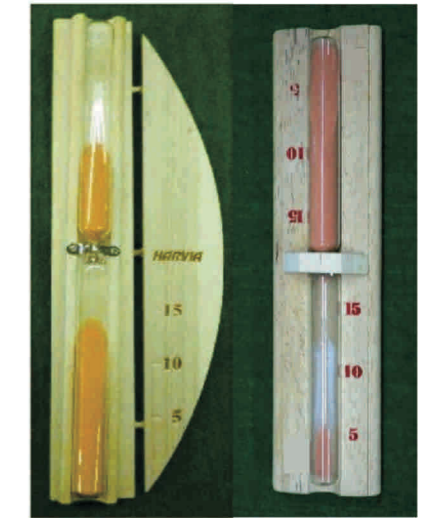
## Sauna Accessories



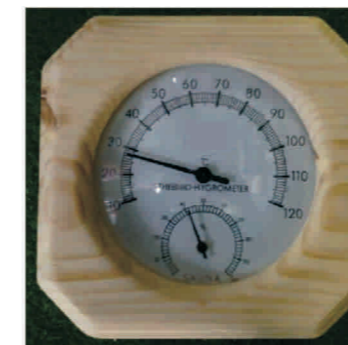
Sauna Wooden Pail and Wooden Ladle



Sauna Light



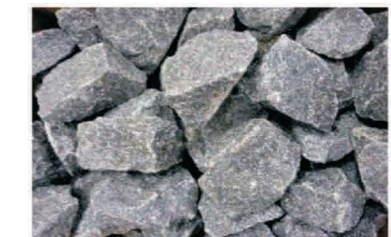
Sauna Sandtimer



Sauna Thermometer



Sauna Thermometer



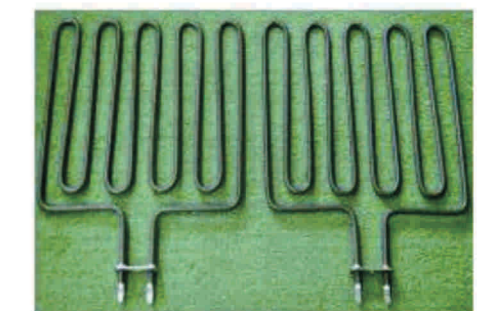
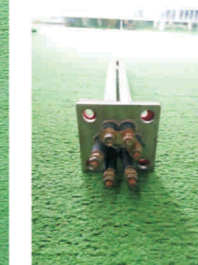
Sauna Stone



Heating Elements



Coates Heating Elements



Butterfly Heating Elements

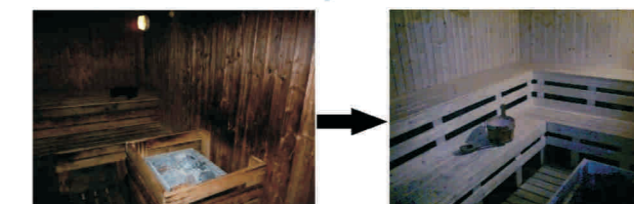


Steam Outlet

Model	KW	Volt	Max. m <sup>3</sup>
AH03	3.0	220/380	1.5~2.5
AH04	4.5	220/380	2.5~4
AH06	6.0	220/380	4~6
AH07	7.5	220/380	6~8
AH09	9.0	220/380	8~10
AH10	10.5	220/380	10~12
AH12	12.0	220/380	12~14

The heating element of AH series steam generator are Horizontally installed

**Give you a quiet and relaxing steambath**



## Sauna Accessories

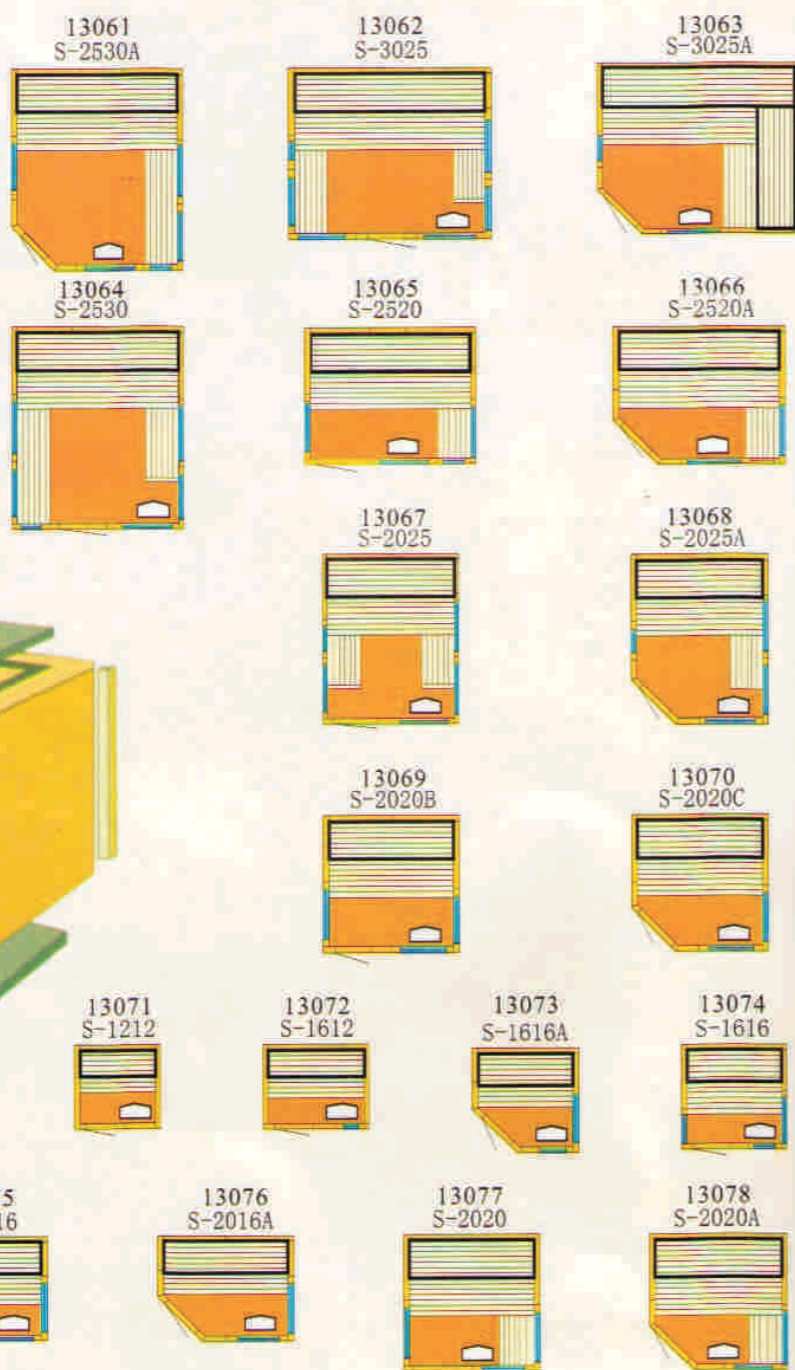
### Combined Sauna Room

### OEM Products



备有多种组合式桑拿房以供客户选购，不但尺寸齐备，且以拼装式安装，安装拆卸简易，适合家庭及贵宾房使用。

We have many combined sauna rooms of all sizes available for your choice. Such sauna rooms can be assembled or disassembled easily. Applicable for family and VIP rooms.



桑拿房拼装图  
Assembly diagram of sauna room

## Sauna Accessories

### OEM Products

订造式桑拿房可按现场实际环境施工，尺寸形状不受限制，无论弧形墙身，柱位、角位或高低天花，均可随意发挥。

Custom-made sauna room can be erected according to the actual site environment, without any restriction in size and shape. You can make full use of your creative ideas for arc wall, post position, angle position or high and low ceilings.



编号 Item NO	13031	13032	13033	13034	13035	13036
高 Height	1850	1850	1860	1860	1850	1850
宽 Width	715	715	780	780	715	715



# ICH Roboter

New Agent Products!!

## iCLEANER Series Robotic Pool Cleaner

Let a robot take the hard work out of cleaning your pool!

With the iCleaner in the pool, you will be enjoying, a cleaner, safer swim, whilst you enjoy the savings.

Save Time & Money  
Wall Climbing Guarantee

No Extra Cost!!

Accessories Included



Remote Control



Aluminium Caddy



iCleaner 120



iCleaner 200



iCleaner 200D



WATER LINE CLEANING



WALL CLIMBING ABILITY



QUICK CLEANING OPTION (FLOOR ONLY)



TWIN DRIVE MOTORS

# ICH Roboter

New Agent Products!!

iCLEANER ROVER

GOING PLACES

NO iCLEANER

HAS GONE BEFORE

Specially designed for pools that are irregular in shape, have islands, submerged bar stools or bridges, this battery pool cleaner takes pool cleaning to the next level.



SMART & DURABLE

Makes Pool Cleaning Even Easier

Exclusive Distributor (Hong Kong and Macau):



達興泳池有限公司  
TAT HING POOL LIMITED



Note:



OKEYIH  
OKEYIH  
Swimming Pool Products

